

## Specifications

# SMART Board® 7075 interactive display

Model SBID-7075

## Overview

The SMART Board® 7075 interactive display combines a premium touch experience with the power of SMART Learning Suite, including SMART Notebook®, SMART lab™, SMART amp® and SMART response 2™ software.

The 75" 4K ultra-high-definition LED display provides optimal image clarity and wide viewing angles. With the Pen ID™ feature, you can assign different appearances to the four pens and write or draw over any application in digital ink.

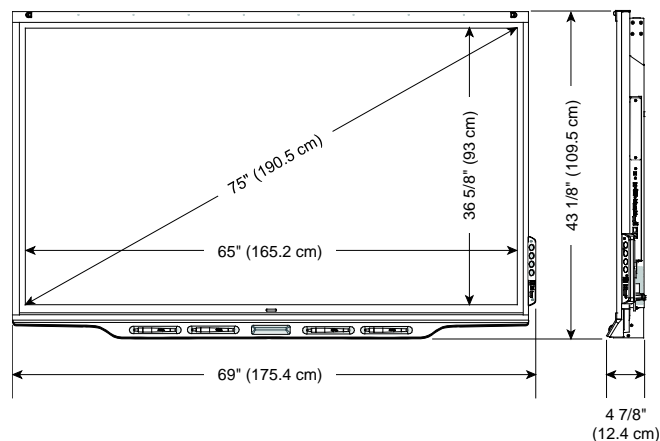
Object Awareness™ allows you to perform mouse functions with your finger, write in digital ink with the pen, and erase with your palm or eraser—all without switching tools or modes. You can use a variety of gestures in applications, and four users can write or draw at the same time.

See [education.smarttech.com](http://education.smarttech.com) for more information.



## Dimensions and weights<sup>1</sup>

### Dimensions



### Weight

172 lb. (78 kg)

### Shipping dimensions (including pallet)

75 3/8" × 54 1/4" × 11 3/4"  
(191.6 cm × 137.8 cm × 30 cm)

### Shipping weight

225 lb. (102 kg)



As an ENERGY STAR® certified signage display, the SMART Board 7075 interactive display meets strict energy efficiency guidelines set by the U.S. Environmental Protection Agency and Department of Energy.

<sup>1</sup>All dimensions ± 1/8" (0.3 cm). All weights ± 2 lb. (0.9 kg).

## Hardware

### Interaction

Touch technology	HyPr Touch™ (Hybrid Precision Touch) technology
Multitouch capabilities	Up to 10 simultaneous touch, writing and erase points <sup>2</sup>
Object Awareness	Behavior adjusts automatically to the tool or object you're using, whether it's a pen, finger, eraser or palm.
Pen ID	Four people can write independently and simultaneously, using different colored ink.

### Display

Type	LED
Aspect ratio	16:9
Optimal resolution	3840 × 2160 at 60 Hz
Horizontal frequency (typical)	135 kHz
Vertical frequency (typical)	60 Hz
Contrast ratio (typical)	5000:1
Brightness (maximum)	360 cd/m <sup>2</sup>
Pixel dimensions	0.429 mm × 0.429 mm
Gamut	72% of NTSC
Viewing angle	178°
Response time (typical)	8 ms

<b>1000BASE-T Ethernet</b>	Two external ports for a four-port Gigabit Ethernet switched network connecting the interactive display and the OPS module to an external network and an external device, such as a computer
----------------------------	--

<b>Presence detection</b>	Dual sensors that reduce startup time and power consumption during inactivity
---------------------------	---

<b>Audio</b>	10 W integrated speakers (×2)
--------------	-------------------------------

<b>Noise level</b>	<30 dBA
--------------------	---------

<b>Included cables and accessories</b>	Country-specific power cable USB cable Pen (×4) Eraser
--	---

<b>Mounting holes</b>	For a standard VESA® 600 mm × 400 mm mounting plate Lower mounting holes 13 3/4" (35 cm) from the bottom of the interactive display
-----------------------	--

<b>Mounting bracket depth</b>	Minimum depth of 2" (5.1 cm) for all components on the back of the interactive display for airflow
-------------------------------	--

<sup>2</sup>Requires SMART Product Drivers to be installed. Some applications might not support all touch points.

## Connectors

<b>Connector panel</b>	OPS slot Stereo 3.5 mm out S/PDIF out VGA input connectors VGA in Stereo 3.5 mm in USB Type-B HDMI 1 input connectors HDMI 2.0 in USB Type-B Display Port input connectors DisplayPort in USB Type-B USB Type-A <sup>3</sup> RJ45 (×2)
<b>Convenience panel</b>	HDMI 2 input connectors HDMI 1.4 in USB Type-B USB Type-A (×2)
<b>Bottom</b>	AC power in AC power out RS-232 in RS-232 out
<b>HDCP support</b>	Version 1.4/2.2

## Installation requirements

<b>Interactive display</b>	See the <i>SMART Board 7000 series interactive displays with iQ installation and maintenance guide</i> ( <a href="http://smarttech.com/kb/171164">smarttech.com/kb/171164</a> )
----------------------------	---

### Room computers and guest laptops


General requirements	See <a href="#">SMART Notebook software release notes</a>
4K UHD	Graphics card that can support 3840 × 2160 resolution at 60 Hz and that has 1 GB DDR 5 memory See <a href="#">Minimum requirements for Ultra High Definition or 4K on your interactive flat panel</a>

### Mini-computers

General requirements	See <a href="#">SMART Notebook software release notes</a>
Dimensions	Smaller than 10" × 10" × 2" (25.4 cm × 25.4 cm × 5.1 cm)
Weight	Less than 10 lb. (4.5 kg)
Mounting	VESA 75 mm × 75 mm or 100 mm × 100 mm mounting pattern

<sup>3</sup>For service use only

## Cable requirements

<b>HDMI</b>	Maximum length: 23' (7 m)
	<p> <b>NOTES</b></p> <ul style="list-style-type: none"> <li>• Use only certified HDMI cables that have been tested to support the performance standard you require.</li> <li>• The performance of cables longer than 23' (7 m) is highly dependent on the cable's quality.</li> </ul>
<b>DisplayPort</b>	DisplayPort 1.2 compliant or better Maximum length: 23' (7 m)
<b>USB</b>	Maximum length: 16' (5 m)
<b>Important</b>	Using cables that exceed these maximum lengths can produce unexpected results, such as degraded picture quality or USB connectivity. Refer to <i>SMART installation standards</i> ( <a href="http://smarttech.com/kb/171035">smarttech.com/kb/171035</a> ) for comprehensive information about cables and extensions for SMART hardware products.

## Storage and operating requirements

<b>Power requirements</b>	100V to 240V AC, 50 Hz to 60 Hz
<b>Power consumption at 77°F (25°C)</b>	
Standby mode	<2 W
Normal operating (out-of-box)	147 W
<b>Operating temperature</b>	41–95°F (5–35°C)
<b>Storage temperature</b>	-4–140°F (-20–60°C)
<b>Humidity</b>	5–80% relative humidity, non-condensing

## Certification and compliance

<b>Regulatory certification</b>	EU RED and LV Directives, ISED, cUL, FCC, UL, RCM, CITIC, TRA
<b>Environmental compliance</b>	
European Union	REACH, RoHS, WEEE, Battery and Packaging
U.S.	CONEG Packaging, California Prop 65

## Purchasing information

<b>Order number</b>	
SBID-7075	SMART Board 7075 interactive display with SMART Learning Suite

**Optional accessories**

UGK-AM40-EDU	iQ appliance for SMART Board 6000 and 7000 series interactive displays
--------------	--

WM-SBID-501	Fixed wall mount for SMART Board interactive displays
-------------	---

Other	See <a href="http://smarttech.com/accessories">smarttech.com/accessories</a>
-------	--

**Warranty**

	Three-year limited equipment warranty
--	---------------------------------------

**Extended warranty**

EWY1-SBID-7075	One-year warranty extension
----------------	-----------------------------

EWY2-SBID-7075	Two-year warranty extension
----------------	-----------------------------

[smarttech.com/support](http://smarttech.com/support)  
[smarttech.com/contactsupport](http://smarttech.com/contactsupport)

© 2017 SMART Technologies ULC. All rights reserved. SMART Board, SMART Notebook, SMART lab, SMART amp, SMART response 2, Pen ID, Object Awareness, HyPr Touch, smarttech, the SMART logo and all SMART taglines are trademarks or registered trademarks of SMART Technologies ULC in the U.S. and/or other countries. iPhone, iPad, iPod touch and Safari are trademarks of Apple Inc., registered in the U.S. and other countries. Google Play, Android and Chrome are trademarks of Google Inc. All other third-party product and company names may be trademarks of their respective owners. This product and/or use thereof is covered by one or more of the following U.S. patents: [www.smarttech.com/patents](http://www.smarttech.com/patents). Contents are subject to change without notice. 09/2017.